

2012 ISUZU NPR HD

UTILIMASTER

ALTERNATIVE FUEL SOLUTIONS

PROANE SOLUTIONS



Technology Designed By:

BI-PHASE
TECHNOLOGIES

WHY PROPANE?

- 40% less expensive than gasoline¹
- Clean burning - less maintenance¹
- Non-toxic, colorless, virtually odorless¹
- Higher octane rating than gasoline (104 to 112 vs. 87 to 92)¹
- 60% less carbon monoxide emissions versus gasoline-powered vehicles¹
- Fuel tax incentives may be available¹
- 97% of US propane is domestically produced¹
- Over 2,700 nationwide filling stations¹

Certified By:



WHY UTILIMASTER?

- Proven leader in commercial vehicles for over 35 years
- Isuzu ship-through provides Isuzu N-Gas chassis conversions at point of manufacture
- 5 year / 75,000 mile limited warranty*
- EPA and CARB certified in 50 states
- Extensive support resources to assist you with choosing the right technology

*See Utilimaster for details

ROI Calculator



¹Sources: Department of Energy website - <http://www.afdc.energy.gov>, Propane Education and Research Council - <http://www.propanecouncil.org>

FOR MORE INFORMATION CONTACT:

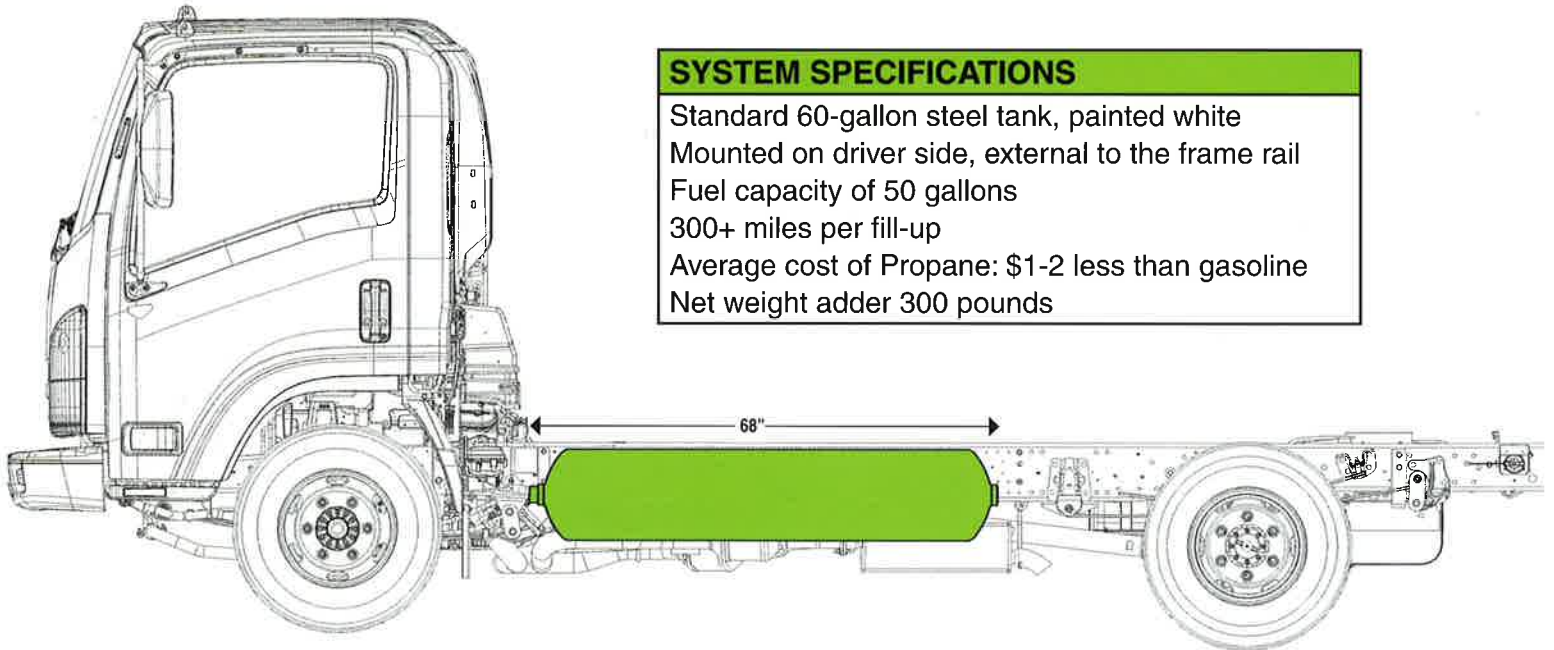
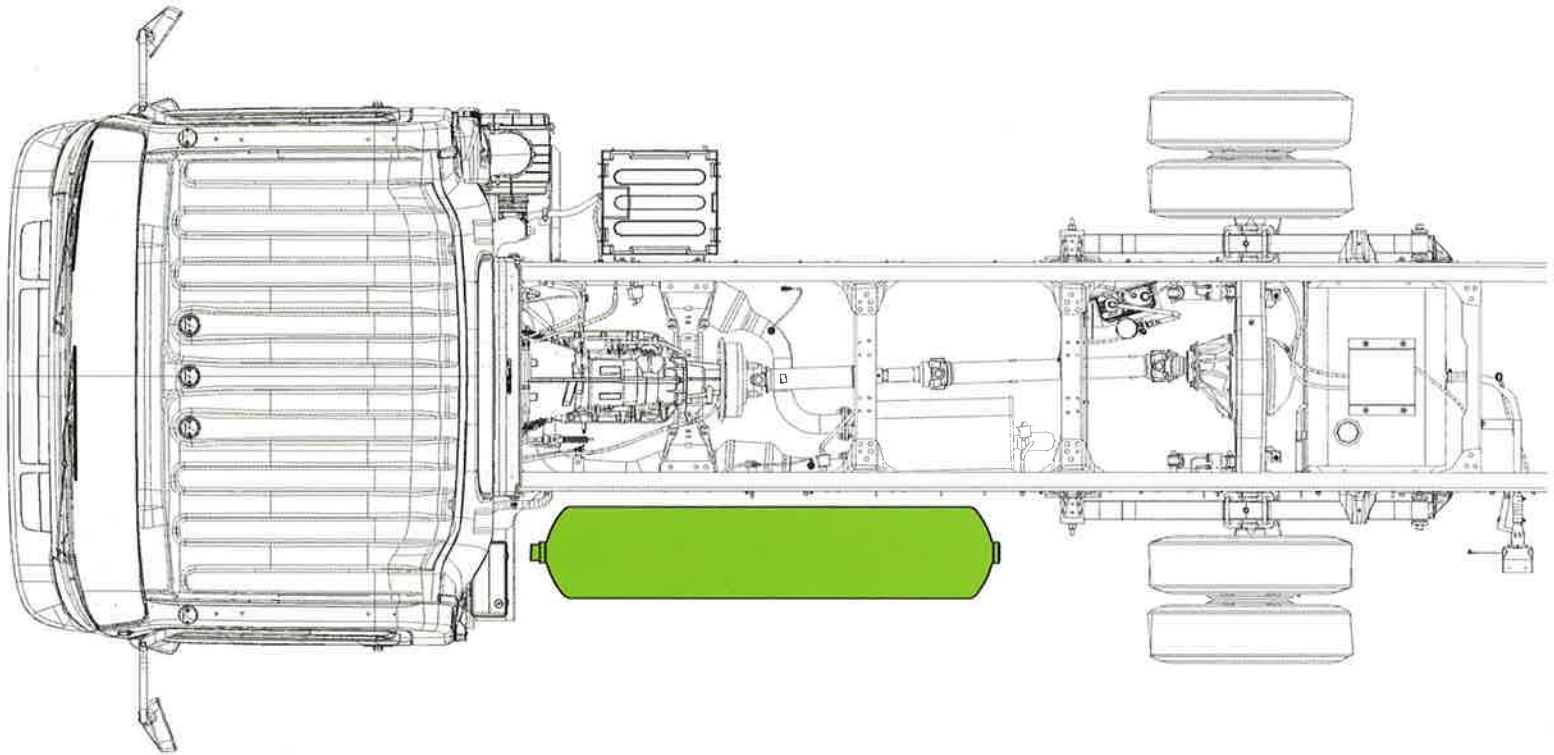
574.848.2201 • 800.582.3454
upfit@utilimaster.com • www.utilimaster.com

CHARLOTTE MODIFICATION CENTER



1541 Reynolds Road
Charlotte, MI 48813

SPECIFICATIONS



SYSTEM SPECIFICATIONS

Standard 60-gallon steel tank, painted white
Mounted on driver side, external to the frame rail
Fuel capacity of 50 gallons
300+ miles per fill-up
Average cost of Propane: \$1-2 less than gasoline
Net weight adder 300 pounds

Standard tank location shown: subject to change based on vocational application and selected tank option. Illustrative purposes only.

FOR MORE INFORMATION CONTACT:

574.848.2201 • 800.582.3454
upfit@utilimaster.com • www.utilimaster.com

CHARLOTTE MODIFICATION CENTER



1541 Reynolds Road
Charlotte, MI 48813